

# MAGNETIC SPOT LIGHT

TECHNICAL SHEET

MAX-SP-3

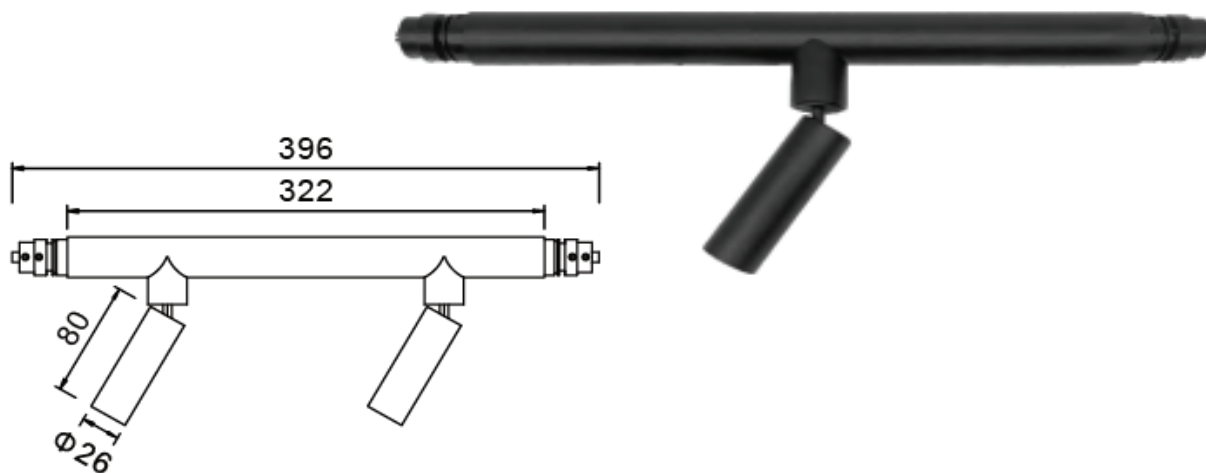


**KEYLIGHT**

SPAIN

PRODUCTOS DE ILUMINACION

## DRAWING



## SPECIFICATIONS

Product Code	MAX-SP-3
Power	3W
Input Voltage	48V
Color Temperature	3000k-4000k
Beam angle	15°/24°/36°
Luminous Flux	210lm
Efficacy (lm/w)	70-85 lm/w
Rated LED Life	30000H
CRI	>90
Operating Temperature	-20 < Ta < +40
Instalation	Suspend/Surface
Dimension	Ø28mm*80mm*L 396mm
IP Rating	IP20
Warranty	3 years